

# NELSON™ HEAT TRACING SYSTEMS

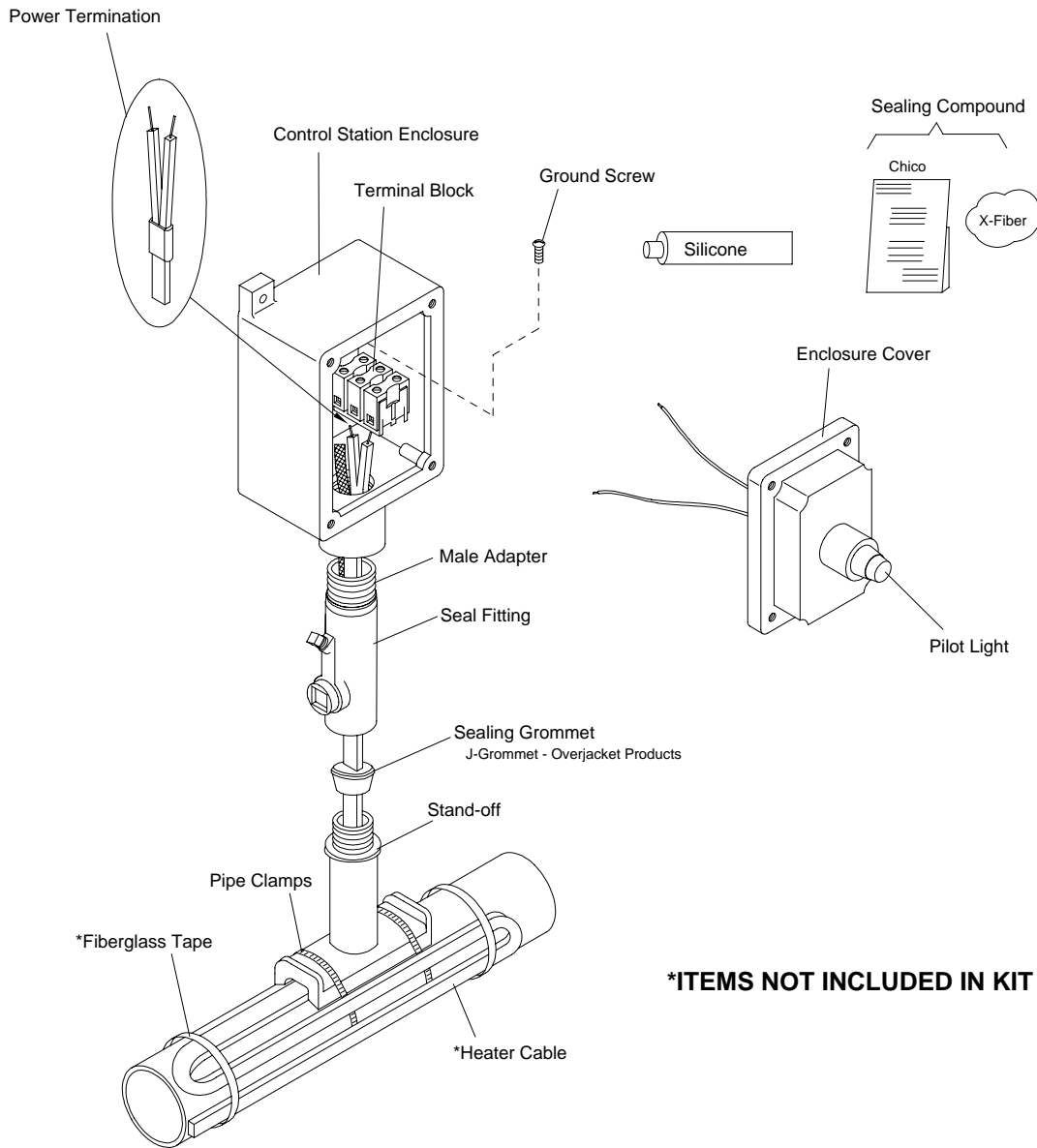
## HASK-L1 & L2 HAZARDOUS AREA END OF CIRCUIT LIGHT KIT **INSTALLATION INSTRUCTIONS**

### DESCRIPTION

The HASK-L1 & L2 Hazardous Area End of Circuit Light Kit provides the cable termination and explosion proof seal parts needed to make the electrical connections associated with Nelson Heat Tracing Systems' CLI, D1 self-regulating heater cables.

### KIT CONTENTS

- |                             |                     |
|-----------------------------|---------------------|
| 1 Control Station Enclosure | 1 Stand-off         |
| 1 Tube of Silicone          | 1 Power Termination |
| 1 Sealing Compound          | 1 Terminal Block    |
| 1 Sealing Grommet           | 1 X Fiber           |
| 1 Pilot Light               | 1 Seal Fitting      |
| 2 Pipe Clamps               | 1 Male Adapter      |

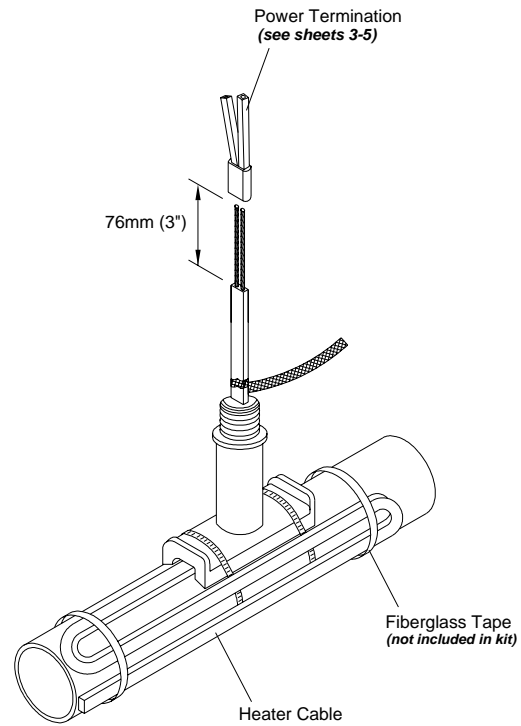
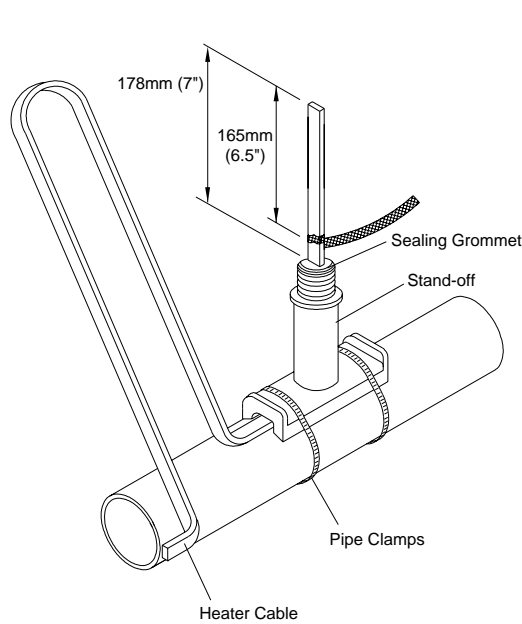


# NELSON™ HEAT TRACING SYSTEMS

HASK-L1 & L2 HAZARDOUS AREA END OF CIRCUIT LIGHT KIT  
FOR DIVISION 1 CABLE TERMINATION & EXPLOSION PROOF SEAL

INSTALLATION  
INSTRUCTIONS

## STAND-OFF POSITIONING



- 1 Push heater cable through bottom opening of stand-off allowing 178mm (7") of heater cable for termination. Leave a 305mm (12") loop of heater cable to be installed after the stand-off is secured.
- 2 Mount stand-off to pipe using the pipe clamps.
- 3 Slide the sealing grommet over heater cable and position inside stand-off opening. Apply silicone around cable on top of the sealing grommet and fill any voids in sealing grommet.

### **⚠ WARNING:**

**Do not install pipe clamps over the heater cable.**

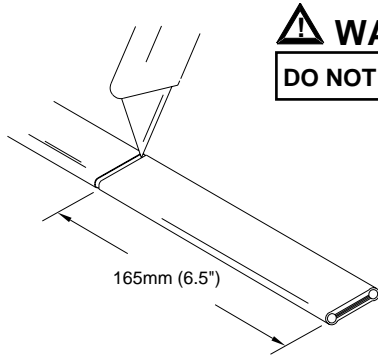
- 4 Install the 305mm (12") loop of heater cable onto the pipe near the stand-off as shown.
- 5 Prepare heater cable for termination. Proceed "Overjacket Stripping Procedures", sheet 3.

# NELSON™ HEAT TRACING SYSTEMS

HASK-L1 & L2 HAZARDOUS AREA END OF CIRCUIT LIGHT KIT  
FOR DIVISION 1 CABLE TERMINATION & EXPLOSION PROOF SEAL

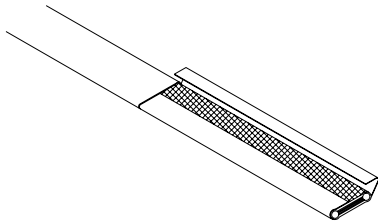
INSTALLATION  
INSTRUCTIONS

## OVERJACKET STRIPPING PROCEDURES

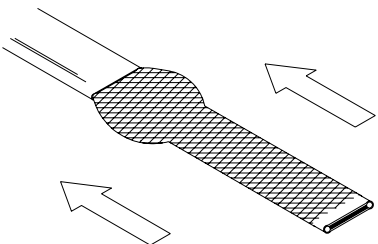


**⚠ WARNING:**  
**DO NOT CUT BRAID**

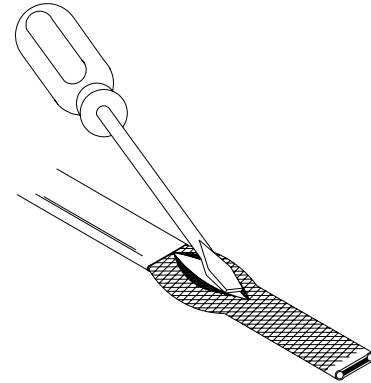
- 1 Lightly cut around heater overjacket 165mm (6.5") from the end. Bend cable to break overjacket.
- 2 Lightly cut overjacket up the center between first cut mark and the cable end. Bend cable to break overjacket.



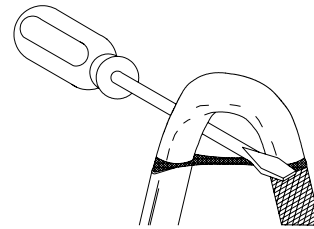
- 3 Remove overjacket from heater cable.



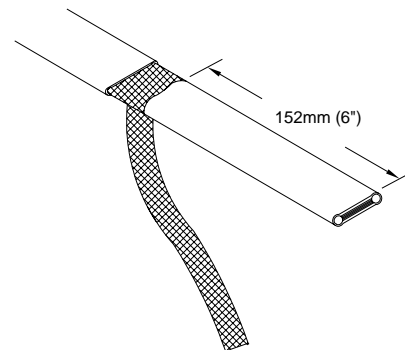
- 4 Move braid back toward the overjacket, creating a bulge.



- 5 At the bulge, separate the braid to make an opening.



- 6 While bending the heater cable, work it through the braid opening.



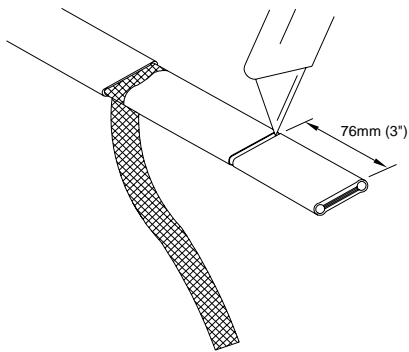
- 7 Pull the braid tight.
- 8 Proceed to "Outer Jacket Stripping Procedures", sheet 4.

# NELSON™ HEAT TRACING SYSTEMS

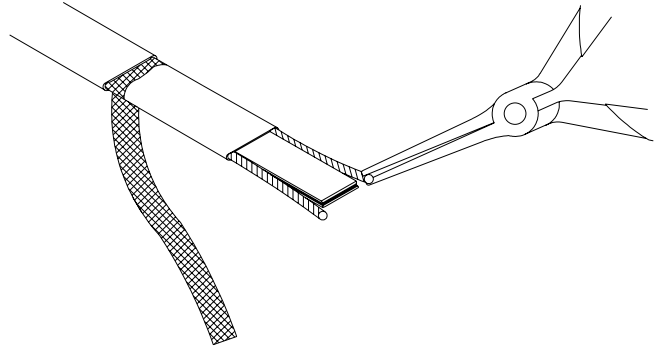
HASK-L1 & L2 HAZARDOUS AREA END OF CIRCUIT LIGHT KIT  
FOR DIVISION 1 CABLE TERMINATION & EXPLOSION PROOF SEAL

INSTALLATION  
INSTRUCTIONS

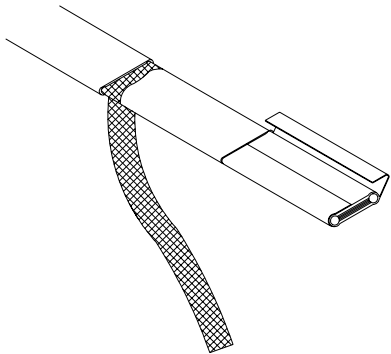
## OUTER JACKET STRIPPING PROCEDURES



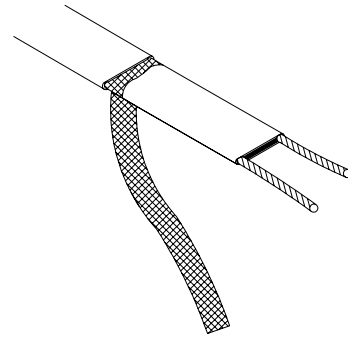
- 1 Lightly cut around heater outer jacket 76mm (3") from the end. Bend cable to break outer jacket.
- 2 Lightly cut the outer jacket up the center between the first cut mark & the cable end. Bend cable to break outer jacket.



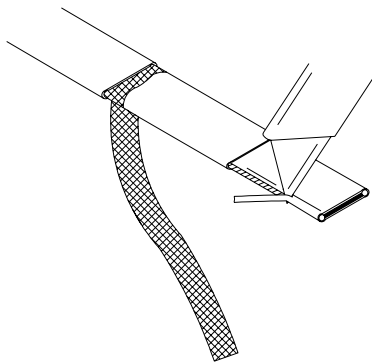
- 5 Starting at the end, pull each bus wire away from the core material.
- 6 Remove exposed core material.



- 3 Remove the jacket from the heater cable.



- 7 Cut 6mm (0.25") off the end of each bus wire.
- 8 Proceed to "Power Termination", sheet 5.



**⚠ WARNING:**  
**DO NOT CUT BUS WIRES**

- 4 Shave the core material from the outside of each bus wire.

# NELSON™ HEAT TRACING SYSTEMS

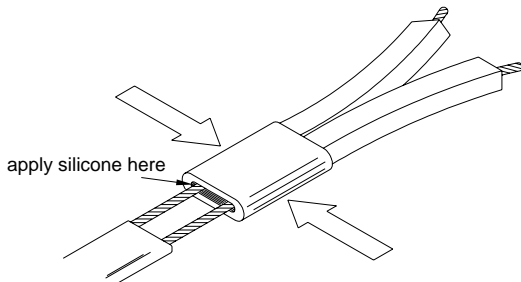
HASK-L1 & L2 HAZARDOUS AREA END OF CIRCUIT LIGHT KIT  
FOR DIVISION 1 CABLE TERMINATION & EXPLOSION PROOF SEAL

**INSTALLATION  
INSTRUCTIONS**

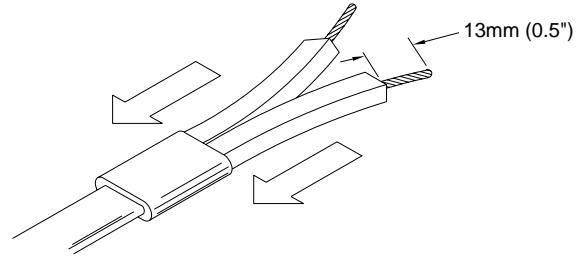
## POWER TERMINATION

### WARNINGS:

- Bus wires must not touch or cross while inserting into power termination.
- Only power terminations specifically approved for the vendors style and type of heater cable must be used.



- 1 Insert bus wires into power termination.
- 2 Squeeze power termination opening and fill with silicone.



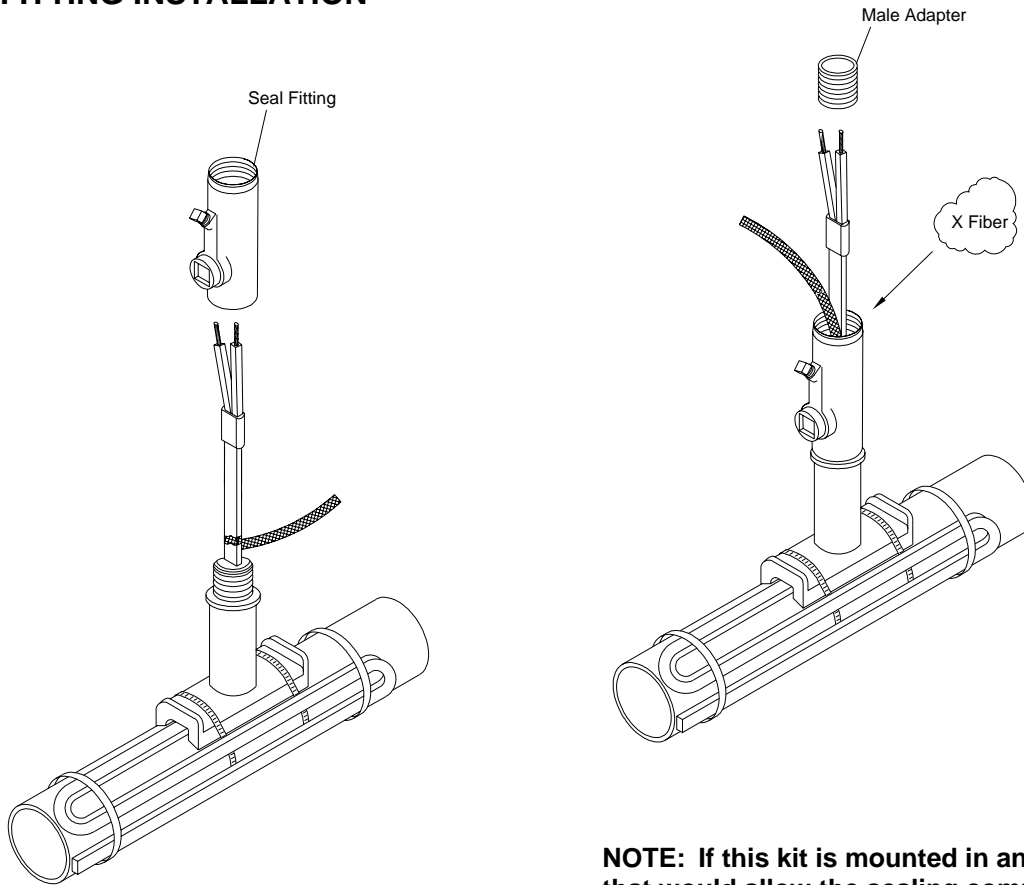
- 3 Push power termination to overlap jacket.
- 4 Proceed to "Seal Fitting Installation", sheet 6.

# NELSON™ HEAT TRACING SYSTEMS

HASK-L1 & L2 HAZARDOUS AREA END OF CIRCUIT LIGHT KIT  
FOR DIVISION 1 CABLE TERMINATION & EXPLOSION PROOF SEAL

INSTALLATION  
INSTRUCTIONS

## SEAL FITTING INSTALLATION



- 1 Slide seal fitting over the heater cable and braid, screw onto the stand-off by hand until snug fit.

**NOTE:** The heater cable must be positioned in the seal fitting so the braid transition point is visible through the seal fitting opening. See Detail "A" on sheet 8.

**NOTE:** If this kit is mounted in an orientation that would allow the sealing compound to flow out, place packing material (X Fiber) around the heater cable.

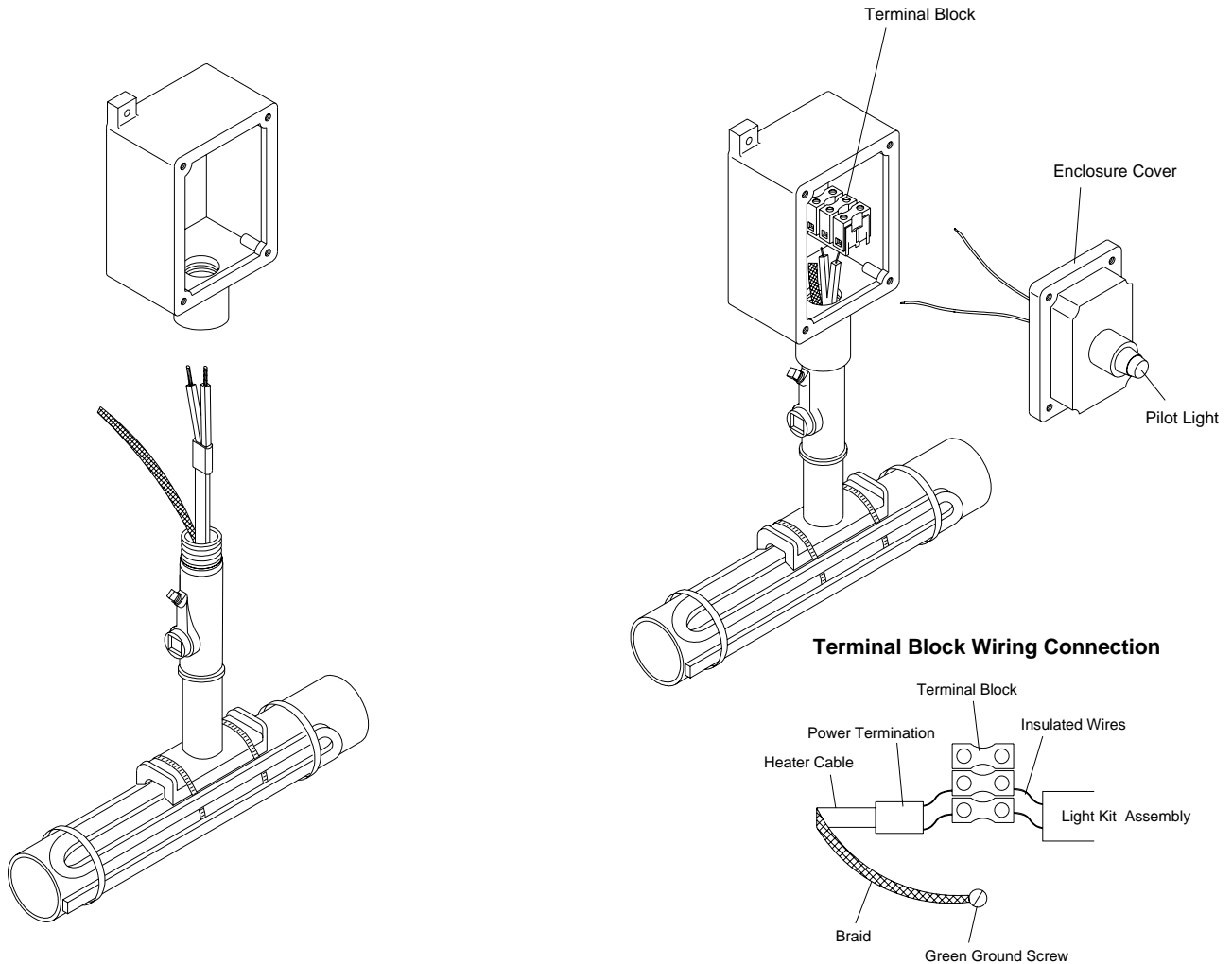
- 2 Slide male adapter over the heater cable and braid, screw into seal fitting by hand until snug fit.
- 3 Proceed to "Control Station Enclosure Installation", sheet 7.

# NELSON™ HEAT TRACING SYSTEMS

HASK-L1 & L2 HAZARDOUS AREA END OF CIRCUIT LIGHT KIT  
FOR DIVISION 1 CABLE TERMINATION & EXPLOSION PROOF SEAL

**INSTALLATION  
INSTRUCTIONS**

## CONTROL STATION ENCLOSURE INSTALLATION



1 Place the control station enclosure over the heater cable and braid, screw onto male adapter until secure.

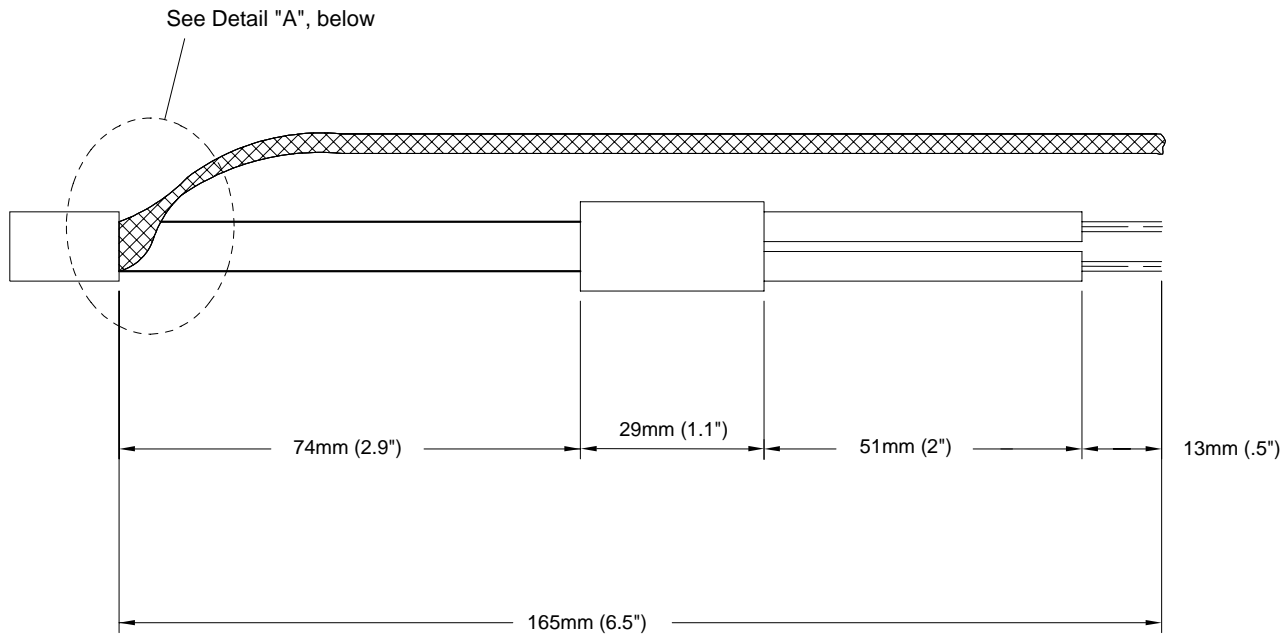
- 2 Connect bus wires to terminal block, one per terminal. Connect braid to green ground screw. Then connect wires from the pilot light to the terminal block. **See the "Terminal Block Wiring Connection" diagram above.**
- 3 Screw the box cover onto the control station enclosure using the screws provided.
- 4 Mix sealing compound according to the instructions on the pouch. (**Knead to mix liquid and powder in pouch.**) Snip off a corner of the pouch and fill the seal fitting.

# NELSON™ HEAT TRACING SYSTEMS

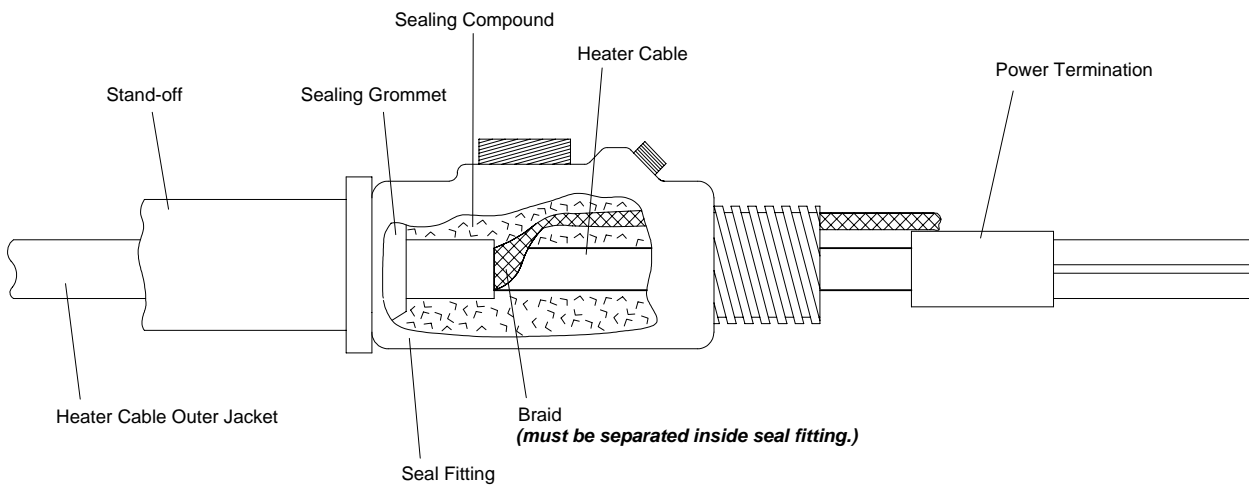
HASK-L1 & L2 HAZARDOUS AREA END OF CIRCUIT LIGHT KIT  
FOR DIVISION 1 CABLE TERMINATION & EXPLOSION PROOF SEAL

INSTALLATION  
INSTRUCTIONS

## TEMPLATE



## DETAIL "A"



Nelson Heat Tracing Systems products are supplied with a limited warranty. Complete Terms and Conditions may be found on Nelson's website at [www.nelsonheaters.com](http://www.nelsonheaters.com).